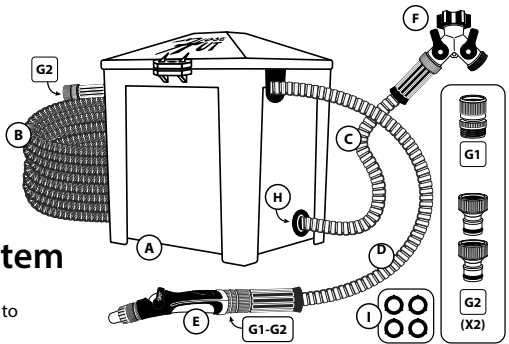




Assembly Instructions for the Hose Hut® Hose Management System



1: Confirm the following parts are present prior to assembly: 1x Hose Hut Container (A),

1x Expandable Hose (B), 1x 4ft. **stainless steel** Supply Hose (C), 1x 6 ft. **stainless steel** Convenience Hose (D), 1x Ergo Nozzle Sprayer (E), 1x **brass** Y-Valve (F), 1x **brass** Quick-Connector (G1) and 2x **brass** Adapters (G2), 1x Chaffing Ring (H).

2: From outside the Hose Hut Container (A), insert the male end of the 4 ft. **stainless steel** Supply Hose (C) through the lower supply hole (opening) of the Hose Hut Container (A).

3: Connect the male end of the 4 ft. **stainless steel** Supply Hose (C) to the female end of the Expandable Hose (B) and place inside the Hose Hut Container (A). DO NOT over tighten, as thread damage may occur. If there is any seepage, use a pair of pliers and GENTLY tighten until seepage stops.

4: Allowing 4-6 inches of the **stainless steel** Supply Hose (C) inside the Hose Hut Container (A), place the Chaffing Ring (H) around the Supply Hose (C) outside of the Hose Hut Container (A). Face the smaller side of the Chaffing Ring (H) towards the Hose Hut Container (A). Gently work the Chaffing Ring (H) (small side) inside the lower supply hole for a snug fit. This is a protective measure for the hoses, not a watertight seal. Hold the Chaffing Ring (H) in place and slide the **stainless steel** hose outside the Hose Hut Container (A) until 1-2 inches remain inside the Hose Hut Container (A).

5: Connect the **brass** Y-Valve (F) to your water supply. The best practice is to use Teflon tape over the threads before tightening. DO NOT over tighten, as thread damage may occur. If there is seepage, use a pair of pliers to GENTLY tighten the Y-connection until seepage stops. The best practice is to change the Teflon tape seasonally to keep materials from the Galvanic Effect (corrosion of two dissimilar metals).

6: Connect the female end of the 4 ft. **stainless steel** Supply Hose (C) to one of the Y-connections of the Y-Valve (F). The best practice is to use Teflon tape over the threads before tightening. DO NOT over tighten, as thread damage may occur. If there is seepage, use a pair of pliers to GENTLY tighten until seepage stops. The best practice is to change the Teflon tape seasonally to keep materials protected.

7: Connect the female end of the 6 ft. **stainless steel** Convenience Hose (D) to the other Y-connection of the Y-Valve (F). The best practice is to use Teflon tape over the threads before tightening. DO NOT over tighten, as thread damage may occur. If there is seepage, use a pair of pliers to GENTLY tighten until seepage stops. The best practice is to change the Teflon tape seasonally to keep materials protected.

8: There is (1x) **brass** Quick Connector (G1) and (2x) **brass** Adapters (G2) in your Hose Hut System. Each **brass** Adapter (G2) can be attached to the male end of the 6 ft. **stainless steel** Convenience Hose (D) and the male end of the 100 ft. Expandable Hose (B). DO NOT over tighten these connections. These quick connections will make it easier to switch your Ergo Nozzle Sprayer (E) from the 6 ft. **stainless steel** Convenience Hose (D) (for small, quick projects) to your Expandable Hose (B) (for larger projects). The **brass** Connector (G1) can be attached to the Ergo Nozzle Sprayer (E) and allows for quick changes between the hoses.

9: To change the Ergo Nozzle Sprayer (E) from the Expandable Hose (B) to the 6 ft. **stainless steel** Convenience Hose (D), retract the **brass** Connector (G1) and detach from the hose, then retract again on the **brass** Connector (G1) and insert on to the other hose.

10: The working end of the Hose Hut System should be placed inside of the Hose Hut Container (A) while not in use. The usual manner is to put the Expandable Hose (B) (collapsed with no water pressure) in first, followed by the 6 ft. **stainless steel** Convenience Hose (D) on top for easy access. The hoses can be run through the top opening and pulled through the opening while the lid is closed.

11: The Hose Hut Container (A) can be securely attached to surfaces by placing fasteners through the ports located in each corner of the Hose Hut Container (A).

12: The Hose Hut Container (A) can be locked using the front molded latch. (Lock not provided).

13: DO NOT TURN THE WATER PRESSURE ON WITH THE 100 FT. EXPANDABLE HOSE (B) INSIDE THE HOSE HUT CONTAINER (A) AS DAMAGE COULD OCCUR. Remove the Expandable Hose (B) from the Hose Hut Container (A) before turning on the water.

14: When finished using the Expandable Hose (B), turn the water off and relieve the pressure by opening the Ergo Nozzle Sprayer (E) for drainage. The Expandable Hose (B) will retract, allowing for placement inside the Hose Hut Container (A).

15: A set of extra O-rings (I) is included. The O-rings (I) should be replaced as they wear out.

16: Storing your hoses inside the Hose Hut Container (A) will keep your hoses safe and protected from the elements for years to come.

17: During freezing temperatures, disconnect all connections and drain all components. This will help protect the components from freezing and cracking.



Hose Hut Container-
5-year Limited Warranty
Hoses and brass components-
1-year Limited Warranty
U.S. and international
patent protected

Visit us at HoseHut.com for additional instructions
and the latest news and information.